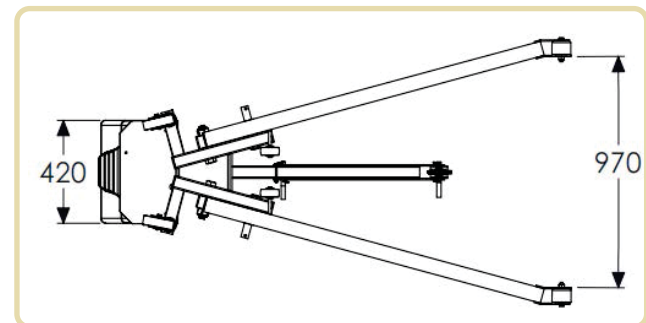
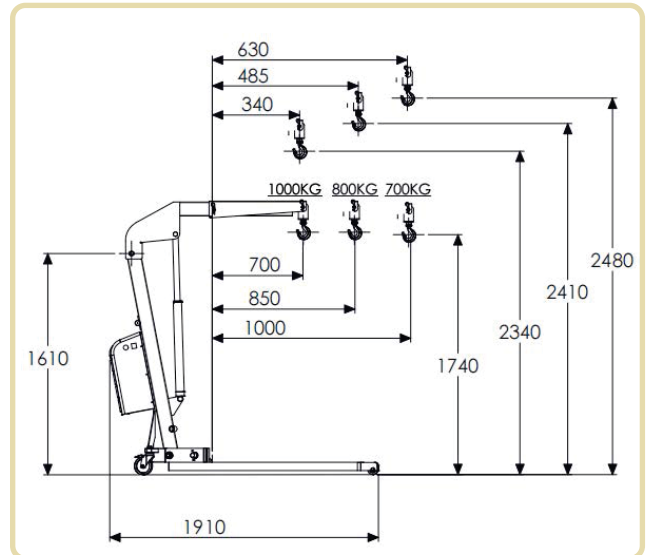


Semi-electric Crane

- ▲ Foldable structure with self-standing capability on four wheels when folded, greatly minimizing storage space occupation.
- ▲ Equipped with an overpressure relief valve and safety latched lifting hook; all units pass a 125% overload test before delivery.
- ▲ Portable design fitted with two fixed wheels and two swivel casters, enabling effortless pushing and precise positioning.
- ▲ Triangular mechanical structure, paired with herringbone uprights and triangular double support legs, ensuring stable operation without tipping over.
- ▲ Hook height: 0-2480mm.

Exclusively designed for safe and precise hoisting scenarios including automobile maintenance, equipment installation and workshop material handling, it is an ideal choice for high-performance portable hoisting solutions.



SC1000SEQ

| | | | | |
|--|-----------|------------|------------|------------|
| i-lift No. | | 2340601 | | |
| Model | | SC1000SEQ | | |
| Rated Capacity | kg(lb.) | 1000(2200) | 800(1760) | 700(1540) |
| Jib Length | mm(in.) | 700(27.6) | 850(33.5) | 1000(39.4) |
| Hook Height When the Hoist Arm in a Horizontal | mm(in.) | 1740(68.5) | | |
| Hook to Front Distance per Gear When the Hook | mm(in.) | 340(13.4) | 485(19.1) | 630(24.8) |
| Max. Hook Height per Gear | mm(in.) | 2340(92.1) | 2410(94.9) | 2480(97.6) |
| Net Weight | kg(lb.) | 147(323.4) | | |
| Battery | V/Ah(in.) | 12/70 | | |
| Charger | V(A) | 12/15 | | |